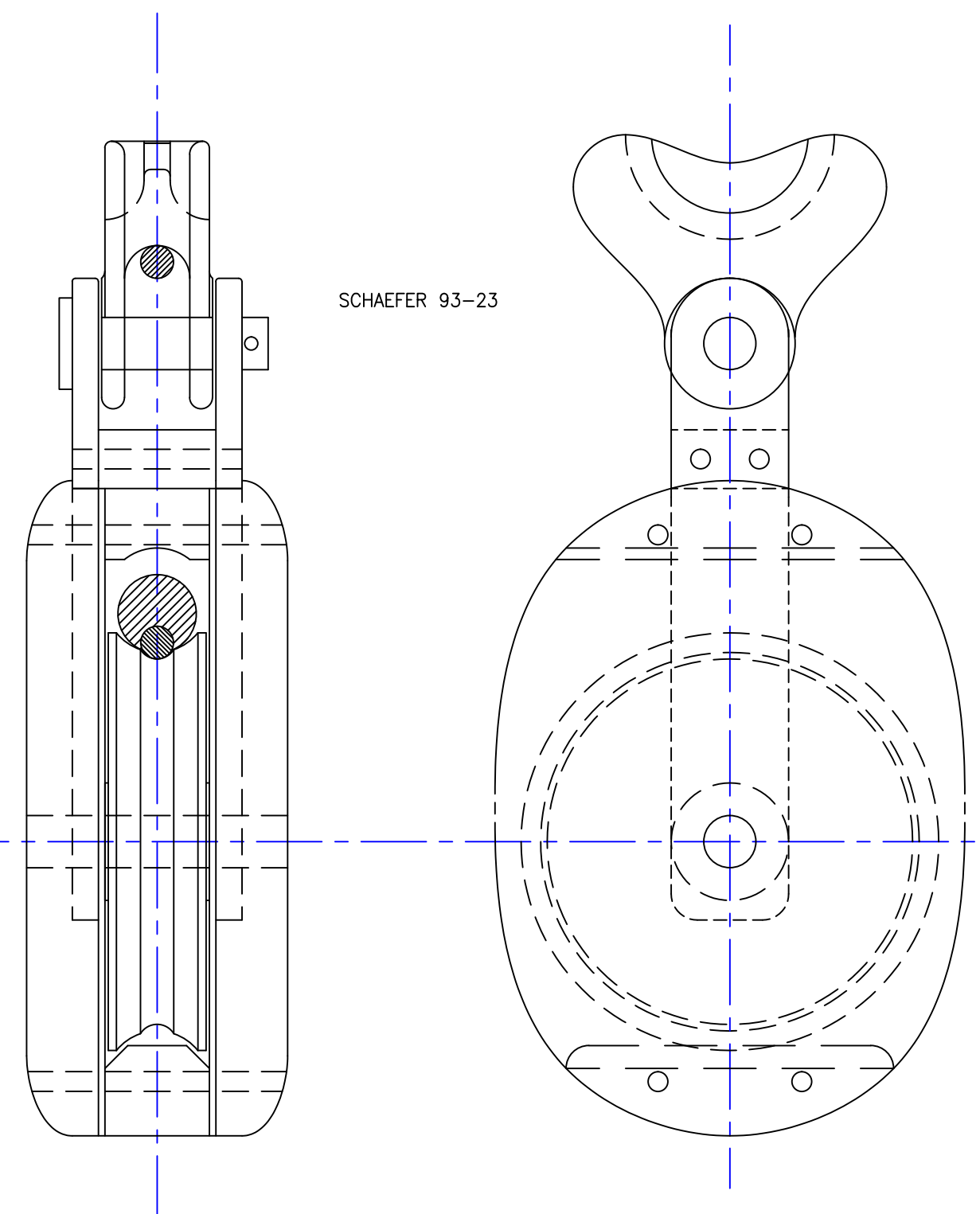


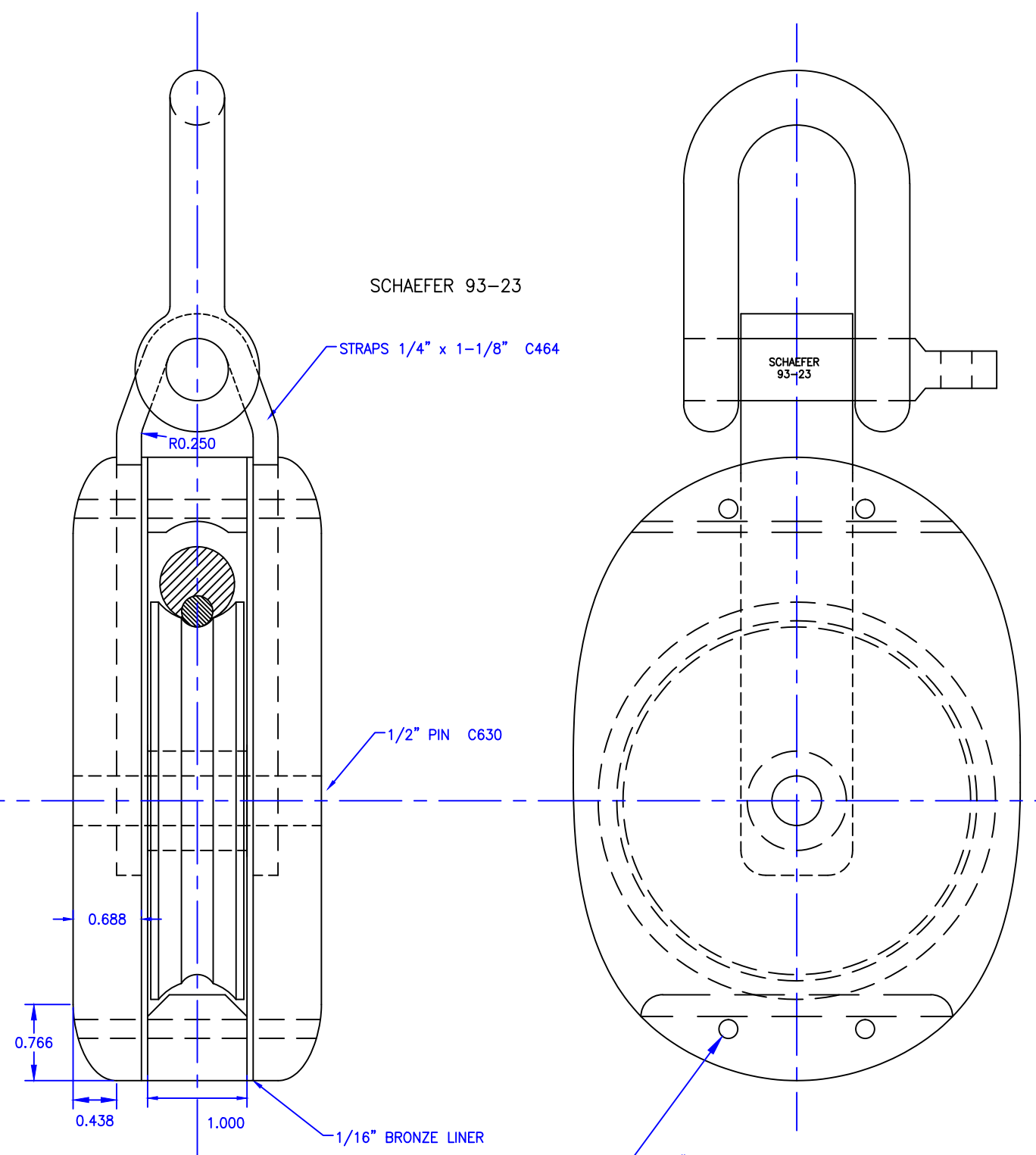
ROUNDED-STRAP BLOCK:  
SIDE CRIMP RADIUS OF STRAP 1.25" AT TOP  
BOTTOM FILED TO FIT STAPLE

BLOCK WITH ROUNDED STRAP  
FOR DIRECT ATTACHMENT  
TO DECK STAPLE  
OR FOR UPSET SHACKLE



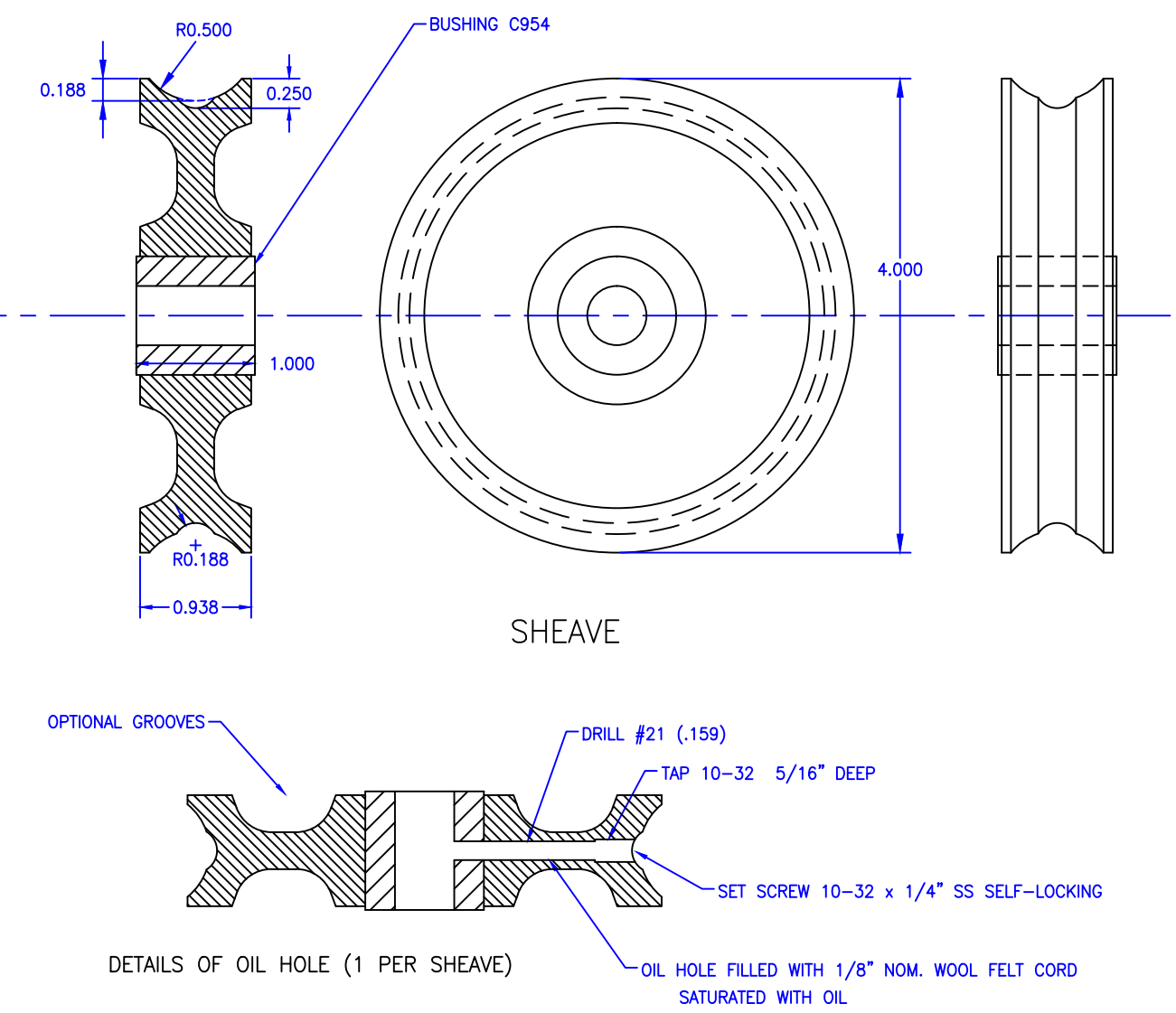
SCHAEFER 93-23

BLOCK WITH SHORT SPAN SHACKLE  
FOR 5/16" GAFF BRIDLE WIRES



SCHAEFER 93-23

BLOCK WITH PLAIN D-SHACKLE



SHEAVE

MP&G  
1" MEDIUM BLOCK  
TEST LOAD 6500 LB.  
BLOCK DRAWING B16M1  
12/30/'08  
REV. 4/4/09

FOR 3/4" ROPE SPLICED  
TO 5/16" WIRE